



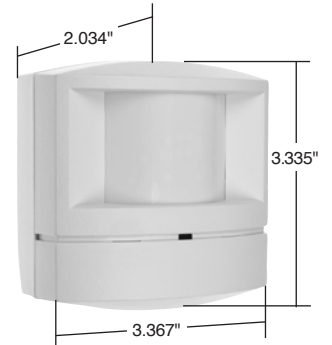
Occupancy & Vacancy Sensors & Timers Commercial Occupancy Sensors

Wall or Ceiling Mount Passive Infrared (PIR)

Pass & Seymour

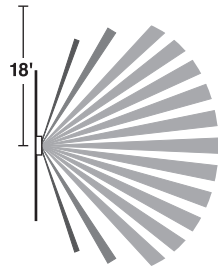
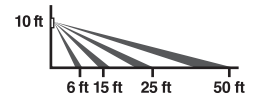


- Features – WA1001 and HS1001**
- Detection Signature Analysis provides high immunity to RFI and EMI.
 - 2 coverage patterns to choose from.
 - Wall mount or ceiling mount.
 - Adjustable sensitivity settings.
 - Digital time delay from 15 seconds to 30 minutes.
 - Dual-element, temperature-compensated pyroelectric sensor.
 - LED occupancy detection indicator.
 - Compatible with 120VAC or 277VAC, 60 Hz lighting systems.
 - Class 2 low-voltage device.
 - Positive detection indicator.
 - cULus listed.
 - 5-year warranty.

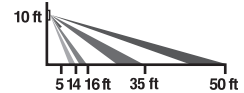


WA1001
HS1001

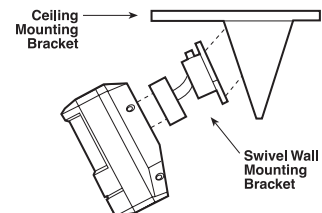
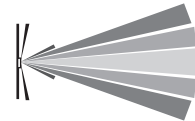
Wide Angle
WA1001



Hallway
HS1001



Detection of motion toward the sensor begins at a max. of 50'. Reliable detection occurs at 35' to 40'.

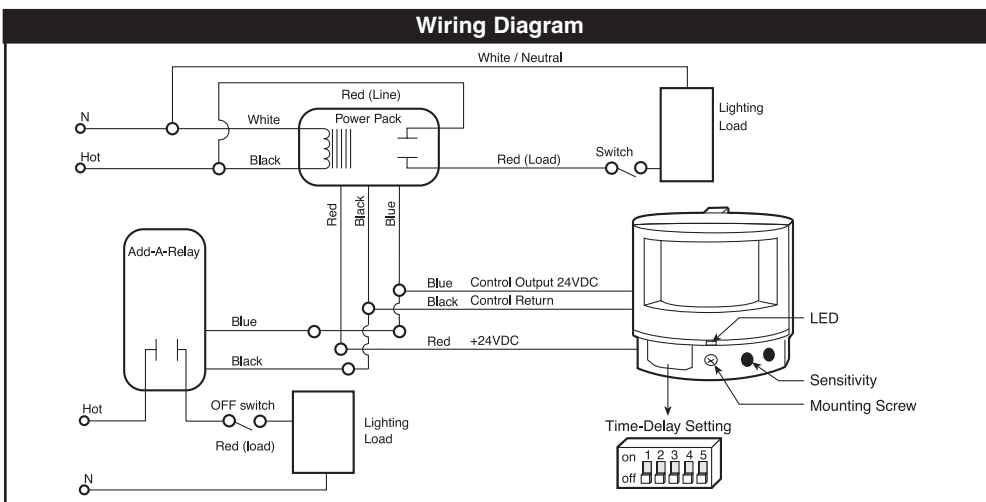
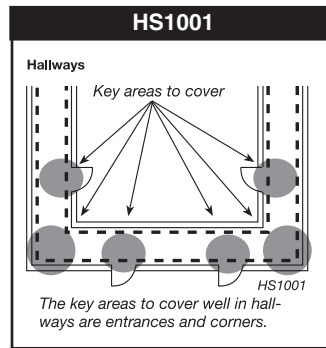
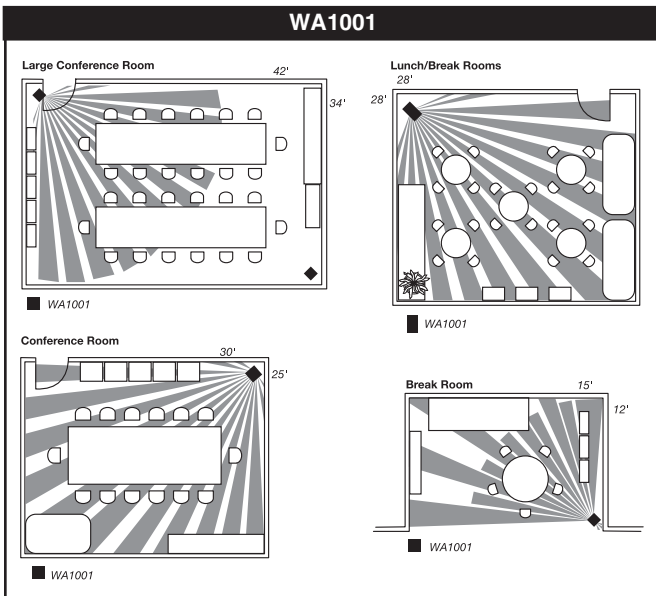


For best results, the bracket should be used in every installation to allow for greatest flexibility of adjustment. Brackets are included with each unit.

All devices listed on this page conform to NEMA WD-1 and WD-6.

Catalog Number	Description	Voltage	Current Draw	Coverage	Color
Wall/Ceiling Mount Sensors					
WA1001	Wide Angle PIR Occupancy Sensor	24VDC	8mA	Up to 1200 sq. ft.	White
HS1001	Long Range PIR Occupancy Sensor	24VDC	8mA	Up to 50 linear ft.	White

Reference Page M-15 for Power Packs.



Technical Specifications on Page U-128 and U-129.